



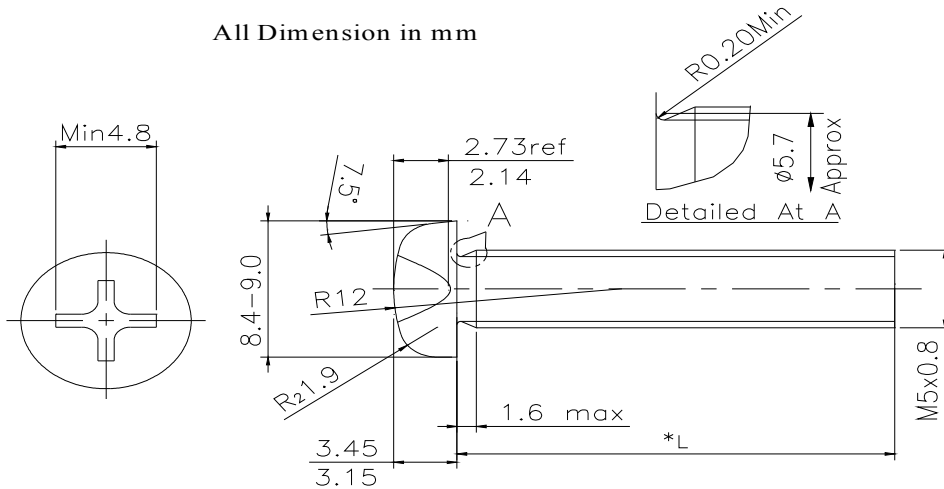
**DIMENSIONAL DETAILS
(CR PAN HEAD SCREW)**

Cr Pan Head Screws as per JIS B 1111

HTF code----->	MCP4--	MCP5--	MCP6--
Pitch	0.70	0.80	1.00
Cross Recess	4.10	4.80	6.20
Head Dia.	7.00	9.00	10.50
	6.50	8.40	9.80
Head Thickness	2.75	3.45	4.10
	2.45	3.15	3.70

HTF Drwg : Cr Pan HD screw M5---

All Dimension in mm



Cr Pan Head Screw as per TS 17254

HTF code----->	MCP5-TM	MCP6-TM
Pitch	0.80	1.00
Cross Recess	4.90	6.90
Head Dia.	9.50	12.00
	9.14	11.57
Head Thickness	3.52	4.60
	3.70	4.30

HTF Drwg : Cr Pan HD screw M6 as per TS 17254

All Dimension in mm

